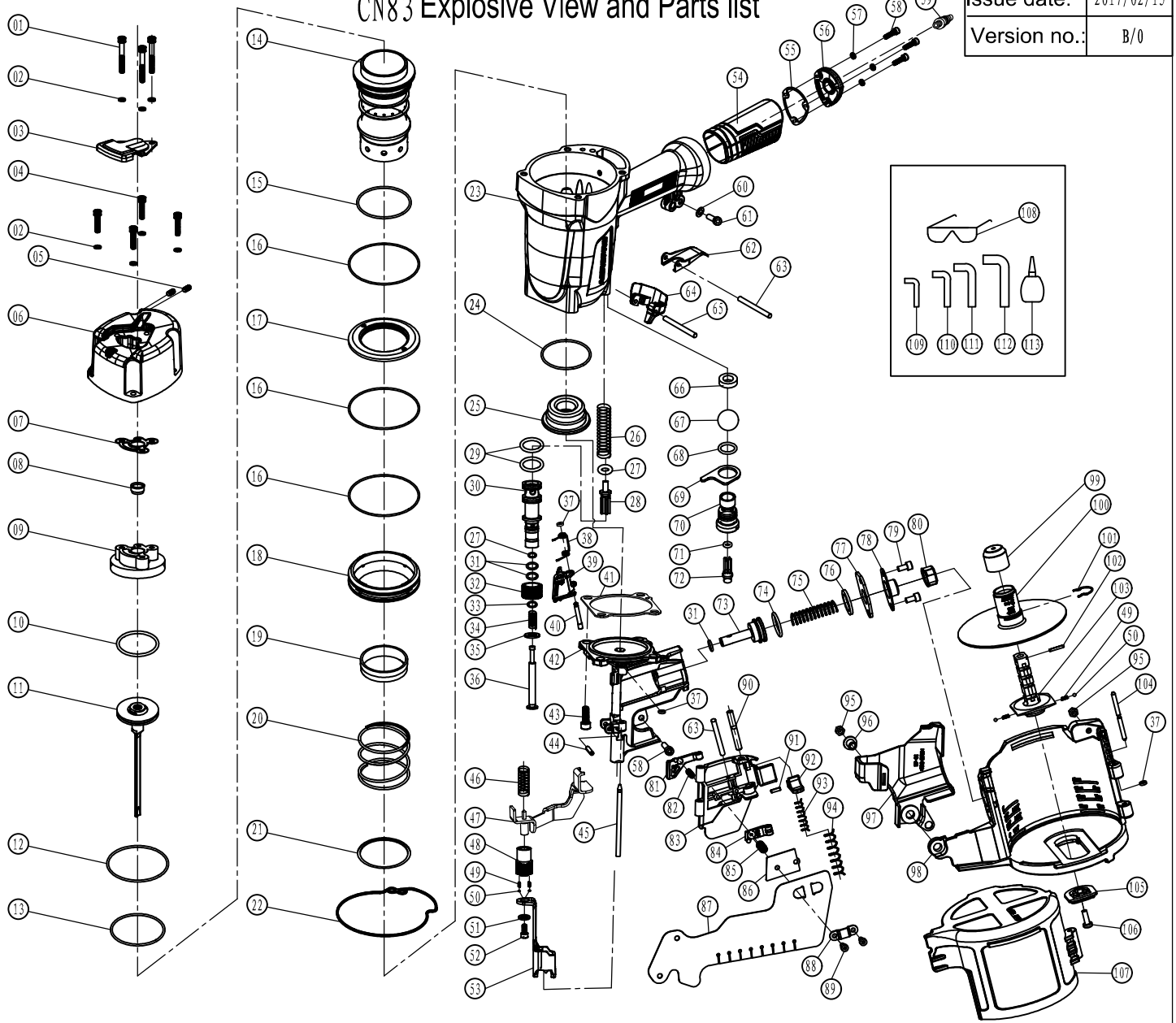


CN83 Explosive View and Parts list

Issue date: 2017/02/15
Version no.: B/0



No.	Description	Qty.	No.	Description	Qty.	No.	Description	Qty.	No.	Description	Qty.
01	HEX. SOCKET HD. BOLT M6 X 45	3	30	VALVE	1	59	AIR PLUG NPT 3/8	1	88	PLATE	1
02	WASHER 6	7	31	O-RING 9X1.8	3	60	WASHER 5	1	89	HEX. SOCKET HD. BOLT M4 X 8	2
03	TOP COVER	1	32	VALVE BUSHING	1	61	HEX. SOCKET HD. BOLT M5X25	1	90	LOCK SHAFT	1
04	HEX. SOCKET HD. BOLT M6X30	4	33	O-RING 6.1X1.8	1	62	TRIGGER	1	91	ROLL PIN D3 X 10	1
05	BOLT M5x8	2	34	TRIGGER SPRING	1	63	ROLL PIN D3 X 30	2	92	GUIDE LOCK	1
06	EXHAUST COVER	1	35	WASHER	1	64	SAFETY SEAT	1	93	SPRING	1
07	GASKET	1	36	ROD	1	65	ROLL PIN D3 X 45	1	94	SPRING	1
08	EXHAUST VALVE	1	37	FEEDER SHAFT RING	3	66	VALVE PACKING	1	95	NUT M5	2
09	HEAD CAP AND GASKET SET	1	38	FEEDER SPRING	1	67	STEEL BALL	1	96	SLEEVE	1
10	O-RING 50X3.55	1	39	FEEDER	1	68	O-RING 11.2X1.85	1	97	GUARD	1
11	PISTON	1	40	FEEDER SHAFT	1	69	VALVE PLATE	1	98	MAGAZINE	1
12	O-RING 79.3X2.5	1	41	GASKET	1	70	TRIGGER VALVE BUSHING	1	99	HOLDER CAP	1
13	O-RING 69.3X2.5	1	42	NOSE	1	71	O-RING 2.8X1.8	1	100	NAIL HOLDER	1
14	CYLINDER	1	43	HEX. SOCKET HD. BOLT M8X25	4	72	TRIGGER PLUNGER	1	101	RATCHET SPRING	1
15	O-RING 62.8X2.65	1	44	ROLL PIN D4 X 20	1	73	FEED PISTON	1	102	ROLL PIN D2.5	1
16	O-RING 92.5X2	3	45	NAIL GUIDE SHAFT	1	74	O-RING 22X2.4	1	103	HOLDER SHAFT	1
17	COLLAR	1	46	SPRING	1	75	FEED SPRING	1	104	PIN	1
18	COLLAR	1	47	PUSHING LEVER	1	76	BUMPER	1	105	COVER PLATE	1
19	CYLINDER RING	1	48	ADJUSTER	1	77	FEED PISTON COVER	1	106	HEX.SOCKET BOLT M5 X 14	1
20	CYLINDER SPRING	1	49	ADJUSTER SPRING	4	78	FEED PISTON COVER	1	107	MAGAZINE COVER	1
21	SPRING WASHER	1	50	STEEL BALL D3.175	4	79	HEX.SOCKET BOLT M5 X 10	2	108	SAFETY GLASSES	1
22	GASKET	1	51	WASHER	1	80	MAGAZINE BUSHING	1	109	WRENCH M4	1
23	BODY ASS'Y	1	52	HEX. SOCKET HD. BOLT M6X10	1	81	SUB NAIL STOPPER	1	110	WRENCH M5	1
24	O-RING 63.6X2.5	1	53	PUSHING LEVER (A)	1	82	SUB STOPPER SPRING	1	111	WRENCH M6	1
25	PISTON BUMPER	1	54	GRIP RUBBER	1	83	NAIL GUIDE	1	112	WRENCH M8	1
26	PLUNGER SPRING	1	55	GASKET	1	84	MAIN NAIL STOPPER	1	113	OILER	1
27	O-RING 4.5X1.8	2	56	CAP	1	85	MAIN STOPPER SPRING	1			
28	PLUNGER	1	57	WASHER 5	3	86	NAIL GUIDE COVER	1			
29	O-RING 11.2X1.5	2	58	HEX. SOCKET HD. BOLT M5X20	4	87	COVER	1			

Note: If you need spare parts of this model, pls feel free to contact us or the distributor where you bought this tool. Tks!